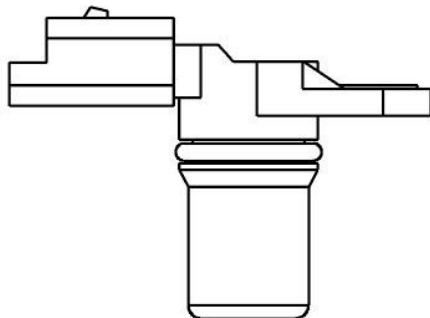


Уважаемые Партнеры!

STARTVOLT расширяет ассортимент товарной группы **Датчики фазы** для легковых иномарок:**Датчик фазы для автомобилей Renault Duster (10-) 1.6i/1.5D/Nissan Juke (10-)/Qashqai (06-) 1.6i**

**OEM:** 22630-00QAG, 23731BN701, 23731DB000, 23731EN215, 237319576R, 23731DB00A, 23731ED02A, 23731ED02C, 23731ED02D, 23760-00QAB, 2376000QAD, 33220-84A00, 33220-84A10, 4415077, 4420249, 4421077, 7485129995, 7701058077, 8200033686, 8200567414, 8200285686, 8200285798, 93167895, 93179803, 95507625

**Артикул:** VS-CM 0903

**Применяемость:** DACIA: LOGAN EXPRESS (FS\_), LOGAN (LS\_), SANDERO, DOKKER Express Box Body/MPV, LOGAN MCV (KS\_), LOGAN Pickup (US\_), DOKKER MPV (KE\_), DUSTER (HM\_), DUSTER (HS\_), DUSTER SUV Van, LODGY (JS\_)

LADA: XRAY (GAB\_)

NISSAN: KUBISTAR Van (X76), PRIMASTAR Van (X83), NV200 / EVALIA Bus, ALMERA II Hatchback (N16), INTERSTAR Bus (X70), CABSTAR (F24M, F24W), PATHFINDER III (R51), SENTRA VII (B17), JUKE (F15), JUKE Van (F15), NP300 NAVARA (D40), TIIDA Hatchback (C11), INTERSTAR Platform/Chassis (X70), CUBE (Z12), NV200 Van, ALMERA II (N16), MICRA C+C III (K12), TIIDA Saloon (SC11), QASHQAI / QASHQAI +2 I (J10, NJ10, JJ10E), PRIMASTAR Bus (X83), X-TRAIL II (T31), NOTE (E11, NE11), MICRA III (K12), INTERSTAR Van (X70)

OPEL: MOVANO B Platform/Chassis (X62), MOVANO A Platform/Chassis (X70), MOVANO B Van (X62), MOVANO A Van (X70), MOVANO B Bus (X62), MOVANO A Bus (X70), VIVARO A Van (X83), VIVARO A Platform/Chassis (X83), VIVARO A Bus (X83)

RENAULT: MASTER II Van (FD), DUSTER (HM\_), LOGAN EXPRESS (US\_), FLUENCE (L3\_), MEGANE III Coupe (DZ0/1\_), GRAND SCENIC II (JM0/1\_), LOGAN I Estate (KS\_), MODUS / GRAND MODUS (F/JPO\_), CLIO II (BB\_, CB\_), KOLEOS I (HY\_), LATITUDE (L70\_), MEGANE CC (EZ0/1\_), GRAND SCENIC III (JZ0/1\_), MEGANE II Estate (KM0/1\_), SCENIC III (JZ0/1\_), LOGAN/STEPWAY II (L8\_), CLIO II Hatchback Van (SB0/1/2\_), WIND (E4M\_), CLIO III Hatchback Van (SB\_, SR\_), MEGANE II Estate Van (KM\_), MASTER II Bus (JD), MASTER III Platform/Chassis (EV, HV, UV), KOLEOS II (HC\_), THALIA I (LB\_) | CLIO SYMBOL, MASTER III Van (FV), THALIA II (LU\_) | SYMBOL, TRAFIC II Bus (JL), TRAFIC II Platform/Chassis (EL), MASTER II Platform/Chassis (ED/HD/UD), CLIO IV Grandtour (KH\_), MASTER III Bus (JV), KANGOO BE BOP (KW0/1\_), KANGOO Express (FC0/1\_), MEGANE III Grandtour (KZ0/1), KANGOO / GRAND KANGOO II (KW0/1\_), LAGUNA II Grandtour (KG0/1\_), LAGUNA II (BG0/1\_), MEGANE II (BM0/1\_, CM0/1\_), KANGOO (KC0/1\_), SCENIC II (JM0/1\_), VEL SATIS (BJ0\_), ESPACE IV (JK0/1\_), MEGANE II Coupe-Cabriolet (EM0/1\_), TRAFIC II Van (FL), KANGOO Express

Тел.: (812) 336-23-93

[www.startvolt.com](http://www.startvolt.com)

Почтовый адрес: 192102, г. Санкт-Петербург, а/я 210

Факт. адрес: 196627, г. Санкт-Петербург, Московское шоссе, д. 177, к. 2

10 ЛЕТ НА РЫНКЕ  
АВТОЭЛЕКТРИКИ

 **START  
VOLT**

(FW0/1\_), LOGAN I (LS\_), MEGANE II Saloon (LM0/1\_), CLIO III Grandtour (KR0/1\_), LAGUNA III Grandtour (KT0/1), MEGANE IV Grandtour (K9A/M/N\_), LAGUNA Coupe (DT0/1), TWINGO II (CN0\_), MEGANE IV Hatchback (B9A/M/N\_), CLIO III (BR0/1, CR0/1), LAGUNA III (BT0/1), MEGANE III Hatchback (BZ0/1\_, B3\_)

SUZUKI: JIMNY Closed Off-Road Vehicle (SN), GRAND VITARA II (JT, TE, TD)

Розничная цена ..... **1130 Р**

